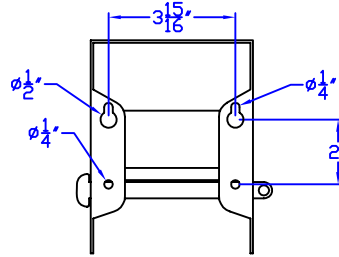
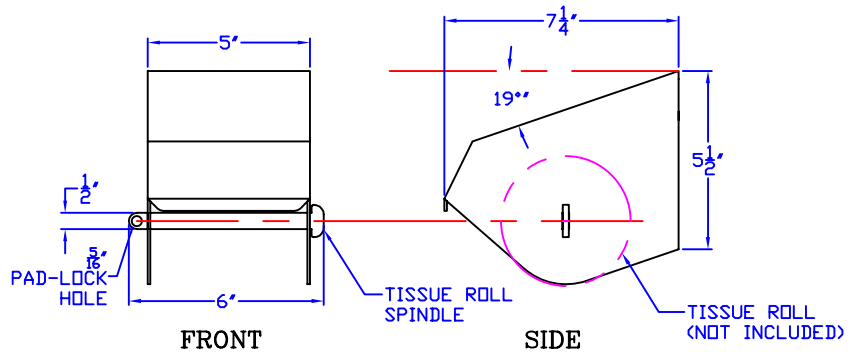




# Technical Data

## S-4052-SS

### HEAVY DUTY HOODED TOILET PAPER HOLDER



#### Construction:

ONE PIECE HOUSING; FABRICATED FROM 14 GAUGE TYPE 304 STAINLESS STEEL, FORMED AND WELDED MAKING IT ONE PIECE, SATIN #4 FINISH.  
 SPINDLE: 7 GAUGE TYPE 304 STAINLESS STEEL WITH A 5/16" PADLOCK HOLE.  
 PADLOCK IS NOT INCLUDED\*\*

#### Operation:

SPINDLE HOLDS A STANDARD TOILET TISSUE ROLL AND CAPTURES THE ROLL USING A PADLOCK (NOT INCLUDED)

#### Installation:

USE THE HOUSING TO MARK HOLE LOCATIONS.  
 DRILL AND FASTEN UNIT TO WALL.

CAUTION: UNIT IS ONLY AS STRONG AS THE ANCHORING DEVICES AND THE WALL WHICH IT IS MOUNTED TO.

#### Guide Specification:

ONE PIECE HOUSING FABRICATED FROM TYPE 304 STAINLESS STEEL.  
 SPINDLE SECURES TISSUE ROLL USING A PADLOCK (NOT INCLUDED)  
 SATIN #4 FINISH.  
 HEAVY DUTY WELDED CONSTRUCTION.